

Holiday HOMEWORK



Name -
Class -



Summer Vacations are just around the corner, and we know how excited the kids must be. And why not, the vacations, after all, are the most awaited part of the year for the students. It gives them a break from the monotonous daily routine to school and gives them the opportunity to try new and interesting things that they didn't get time for.

However, summer vacations can be considered spent well only if kids are able to strike a balance between enjoyment and learning. Summer vacations must not be considered as a break from learning. Actually, that's what the essence of the vacation is, learning disguised as fun and enjoyment.

Some tips to make this summer different:-

- An ideal time to polish up some hobby that gets neglected during school days.
- Visit any good bookshop of the city and select books of your level. Read them well.
- Books are your best friends.
- Go for walk with the family.
- Do some physical exercise like cycling, play badminton, cricket.
- Spend qualitative time with your grandparents and listen about their childhood from them.
- Read news paper daily.



Do's

- Wake up early and develop a morning routine. Do yoga, meditation or just a brisk walk.
- Start learning a new skill like painting, dance, music or public speaking.
- Play games, sports and do a lot of physical activity, but only during the morning and evening hours.
- Read more. Challenge yourself to finish reading at least a couple of good books during the vacation.
- Visit your cousins, or plan a trip with family.
- Help out your parents in family chores, and learn some useful skills that way.
- Make sure to be consistent with the holidays' homework. Avoid completing it for the last day!
- Eat good food, drink plenty of water, and have lots of fun!

Don'ts

- Do not waste all your time to play video games and/or mobile games.
- Don't go out during the hours of peak sunshine. Try some interesting indoor activities.
- Do not oversleep, and do not let laziness take you over. Stay active during the vacations.



Out of difficulties grow miracles. Tough time doesn't last.

Dear Students

The beginning of new session might not have been with pomp and show, but the spirit of teaching learning continues in the school. The summer vacations this time would not be ice creams, candies and cool pool, but time can be utilized in honing skills and interests.

It is easy to bloom, then to be a bud, but you are responsible young members of the nation and its our duty to follow rules. Here are some holiday activities designed for creative utilization of time. Give a flight to your imagination and spend time purposely.

Some points to be remember

- ❖ Drink plenty of juice and water to avoid dehydration.
- ❖ Make hand washing and hygiene a part of your routine.
- ❖ Holiday Homework is a part of subject enrichment and will be assessed on the basis of creativity and efforts of the students.
- ❖ It's the perfect time to enhance your speaking skills and vocabulary by conversing in English with your family and siblings.
- ❖ Reading is essential for those who seek to rise above the ordinary. Spend your quality time reading purposeful books.
- ❖ Schedule your time for activities so that there is no piling up for the last moment.
- ❖ Holiday homework should be your authentic creative work.



READ A BOOK

THIS SUMMER!!!

•Introduction

Describe the book cover and title.
Include any subtitles at this stage.
Include the Author's Name.

••Thesis

Write a brief description of the novel. (80 words)

•••Body

Use about 3 quotations from the author's novel.
Summarize the quotations in your own words.
Mention your own point-of-view of the quotation.

••••Conclusion

summarizes the quotations.
summarize the explanations.
This can include your final opinion of the book.

•••••Star-Rating (Optional)

BOOK RECOMMENDATIONS

- The Old Man and the Sea by Ernest Hemmingway
- When You Reach by Me by Rebecca Stead
- Islands of the Blue Dolphins by Scott O' Dell
- The Blue Umbrella by Ruskin Bond
- The Room on the Roof by Ruskin Bond
- Maharani The Cow by author Christy Shoba Sudhir (Tulika)
- My Mother's Sari by author Sandhya Rao
- A Book For Puchku by author Deepanjana Paul
- Padma Goes to Space by author Shwetha Prakash
- Tara's Elephant by author C G Salamander

Task 1: Novel Scrapbook: You will create a “Scrapbook” based on your silent reading novel. The goal of this assignment is for you to portray your insight and analysis of the novel in a creative fashion. When looking through the finished scrapbook, it should reveal your deep understanding of the themes and characters.

Your scrapbook will be divided into following sections:

- Index- It will contain list of contents of your scrap book with reference to the pages on which they are mentioned.
- Characters -This section will contain the names of all the characters and characters description.
- Setting- Identify two major setting of the story and have a visual depiction and each setting.
- News- Identify one of the major events of the story that would make a good news article.

Task2- Make a cover of George Orwell’s Animal Farm or The Chronicles of Narnia by C.S. Lewis.(Paste the picture in your scrapbook)

Task 3-Collect 5 advertisement of Indian brands from newspaper or magazine and paste in your scrapbook.

Task 4- (To be done inScrapbook) Prepare a Bio-sketch of the PHYSICIST, COSMOLIGIST STEPHEN HAWKING which includes the following :

A. Portfolio/Picture of STEPHEN HAWKING

B.Year of birth and death

C.Personal life

D.Educational background

E.Notable works and Achievements



Grammar

• **DO AS DIRECTED:**

- 1) The competition will be judged by a panel of experts. (Circle the collective noun)
- 2) The receptionist answered all the queries with great _____. (polite) (Form abstract noun from the word given in the bracket)
- 3) Your shirt is made of wool. (Underline the material noun)
- 4) Chandigarh is a planned city. (Identify the noun and state its type)
- 5) The mob was soon dispersed. (Circle the collective noun)
- 6) This is a seasonal river. (Underline the common noun)
- 7) Animals should be treated with kindness. (Circle the abstract noun)
- 8) A _____ of sheep is grazing in the field. (Put a suitable collective noun)
- 9) The bangle is made of glass. (Underline the material noun)
- 10) I have already taken the _____ (appoint) of the doctor. (Form abstract noun from the word given in the bracket)
- 11) Shruti is a gentle girl. (Identify the noun and state its type)
- 12) The army of soldiers fought bravely. (Circle the collective noun)
- 13) This building is recently painted. (Identify the concrete noun)
- 14) I gave my friend a _____ of flowers. (Put suitable collective noun)

15) Mummy brought fresh fruits from the market. (Underline the concrete noun)

16) She has blonde (hair/hairs/a hair/many hairs).

17) The statue is made of (stone/a stone/stones/few stones).

18) A large (crowd/crowds/people/peoples) is expected there.

19) This pair of (shoe/shoes/boot/leather) is good.

20) Most (house/building/houses/mansion) are made of brick.



Name: _____ Class: Sec _____

Subject: _____ Date _____

Summer Holiday Assignment 2023-24

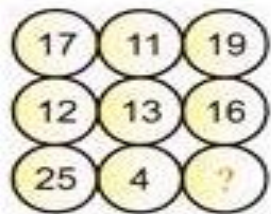
प्रश्न 4. स्वाध्याय का महत्व विषय पर विनायक और मीना के मध्य 10 पंक्तियों में संवाद लिखिए।



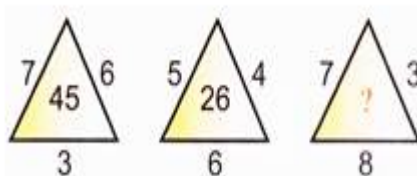
MENTAL MATH

1. Find the missing one: ED : HG :: RQ : ____

2. Which number will the question mark in the given figure?

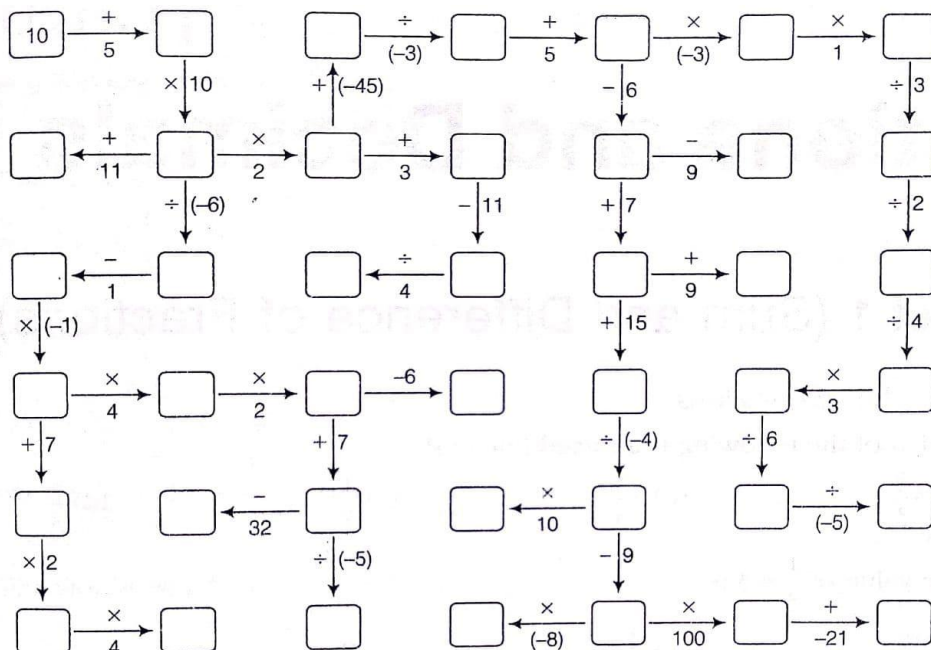


3. Which number will the question mark in the given figure?



4. Complete the number grids by following the direction of arrows:

5. If the sign + is interchange by - and × by ÷. The find the value of $2 + 6 + 12 \times 4$





6. If $72 \times 96 = 6927$, $58 \times 87 = 7885$, then $79 \times 86 = ?$
7. What is the value of $20142015 \times 20152014 - 20152014 \times 20142015$
8. Golu started from his house towards North. After covering a distance of 8 km. he turned towards left and covered a distance of 6 km. What is the shortest distance now from his house?
9. A got twice as many marks in English as in Science. His total marks in English, Science and Mathematics is 180. If the ratio of his marks in English and Mathematics is 2 : 3, what is his marks in Science?
10. Solve the following SUDOKU:

4	9			8		3	
7	5			3	2		1 8
			5			2	6
8				3	9		
	3			4			7 5
		1	2	7			
		8	4				9
	1			9		4	
2			7	1		8	5

(a)

		5			6		2
4	9				8		1
	6		5	7		3	9
		3				8	
	4		1		5		7
1		8		6			9
	5					6	
		2	3				4
	8			9		1	3

(b)

Solve the following questions:

11. Find five rational numbers between $\frac{2}{3}$ and $\frac{3}{4}$
12. Multiply additive inverse of $\frac{-3}{4}$ and multiplicative inverse of -5.
13. Is 1237 is a perfect square? Justify your answer.
14. Write a Pythagorean triplet whose one member is 24.



15. Write the additive inverse of the following: (i) $-\frac{1}{3}$ (ii) $1\frac{3}{5}$ (iii) 6
16. Represent the following rational numbers on number lines.
(i) $-\frac{1}{3}$ (ii) $\frac{4}{5}$ (iii) $\frac{3}{2}$
17. If the cost of $4\frac{1}{2}$ litres of milk is Rs $89\frac{1}{2}$, find the cost of 1 litre of milk.
18. One-third of a group of people are men. If the number of women is 200 more than the men, find the total number of people.
19. Check whether (6, 8, 10) is a Pythagorean triplet.
20. Using the prime factorisation method, find which of the following numbers are not a perfect squares.
(i) 768 (ii) 1296 (iii) 3025
21. Find the square roots of the following decimal numbers:
(i) 1056.25 (ii) 10020.01
22. What is the least number that must be subtracted from 3793 so as to get a perfect square? Also, find the square root of the number so obtained.
23. Find the cube roots of the following:
(i) 1728 (ii) 3375
24. Find the smallest number by which 1323 may be multiplied so that the product is a perfect cube.
25. What is the smallest number by which 2916 should be divided so that the quotient is a perfect cube?



26. Fill in the blanks:

- (i) The perfect square number between 60 and 70 is
- (ii) The square root of 361 ends with digit
- (iii) The sum of first n odd numbers is
- (iv) The number of digits in the square root of 4096 is
- (v) Square root of 36625 is

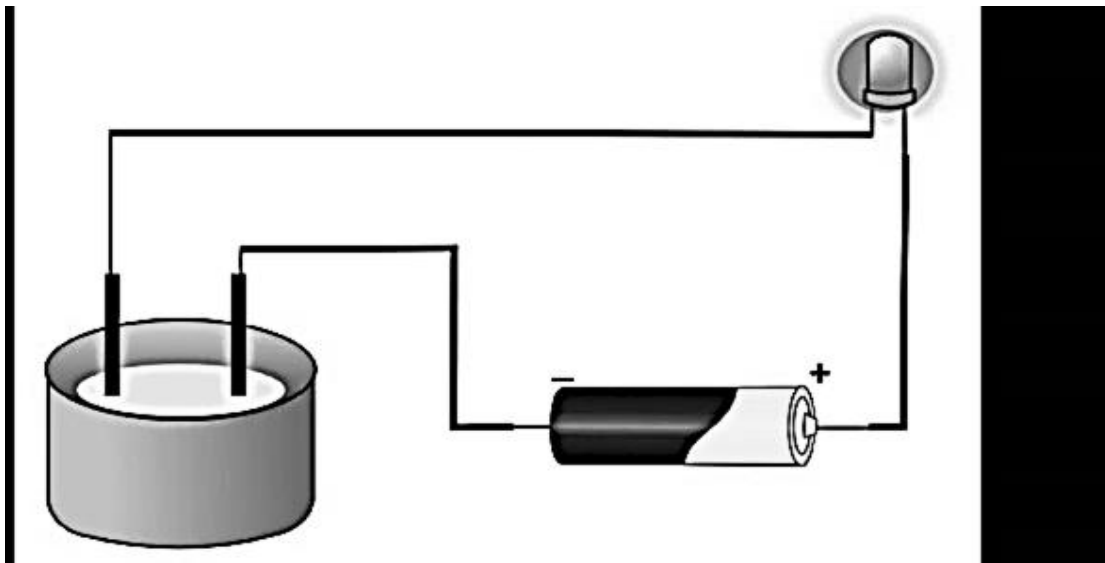
27. Fill in the blanks:

- (i) Zero has reciprocal.
- (ii) The product of two rational number is
- (iii) Square of 37 is
- (iv) There are numbers between the square of 24 and 25
- (v) The square of -14 is

Note- All work will be done in a thin notebook and submitted to Math teacher.

SCIENCE

1. Gather information about what kind of crops are majorly grown in India. Arrange the data in the form of a bar graph. Draw it in notebook.
2. Label the diagram and explain it.(Do in notebook)



3. Find out the locations of coal reserves in India . Also, list all iron and steel industries found near the coal reserves. Prepare a report in A4 sheets.
4. Fossil fuels are present in limited amount and thus,they should be used wisely. Find out some ways in which these fuels can be used judiciously. Write the ways in Notebook.
5. Draw a mind map of Types of Pollutions & Preventive measures.

SOCIAL SCIENCE

(Instructions- All the project ,assignment and map work should be done in a single project file).

1. Comprehension skill (Case study)

Mona and Raju were helping Amma to clean their house. “Look at all these things.... clothes, utensils, food grains, combs, this bottle of honey, books...Each of these have a use,” said Mona. “That is why they are important,” said Amma. “These are resources.....”. “What is a resource?” was Raju’s question to Amma. “Anything that can be used to satisfy a need is a resource”, replied amma. “Look around you and observe, you will be able to identify many types of resources. The water you drink when you are thirsty, the electricity you use in your house, the rickshaw you use to get home from school, the textbook you use to study are all resources. Your father has prepared a tasty snack for you. The fresh vegetables he has used are also a resource”. Water, electricity, rickshaw, vegetable and textbook have something in common. They have all been used by you, so they have utility. Utility or usability is what makes an object or substance a resource. “How does something become a resource?” Raju now wanted to know. Amma told the children that things become resources only when they have a value. “Its use or utility gives it a value. All resources have some value.” said Amma. Value means worth. Some resources have economic value, some do not. For example, metals may have an economic value, a beautiful landscape may not. But both are important and satisfy human needs.

Answer the following questions:

- 1. What is resource?**
- 2. What makes an object or substance a resource?**
- 3. How does something become a resource?**
- 4. What is the meaning of value? Give example.**

2. Collage Making

The students should make a collage on the "Indian Constitution".
serutcipetsaP and also list down the fundamental rights and duties mentioned in the Indian Constitution.

The project should be assessed on creativity, knowledge, understanding, and critical analysis each for 5 marks.

3. Locate and label the following places in political map of India, and paste them in the project file only:

- States and capitals of India.
- A place in Punjab where Jhallianwala Bagh incident took place.
- Locate the neighboring countries of India.

4. Essay writing:

"Problems of periodization in history"

Students will be evaluated on the basis of knowledge, critical thinking, analysis parameters.



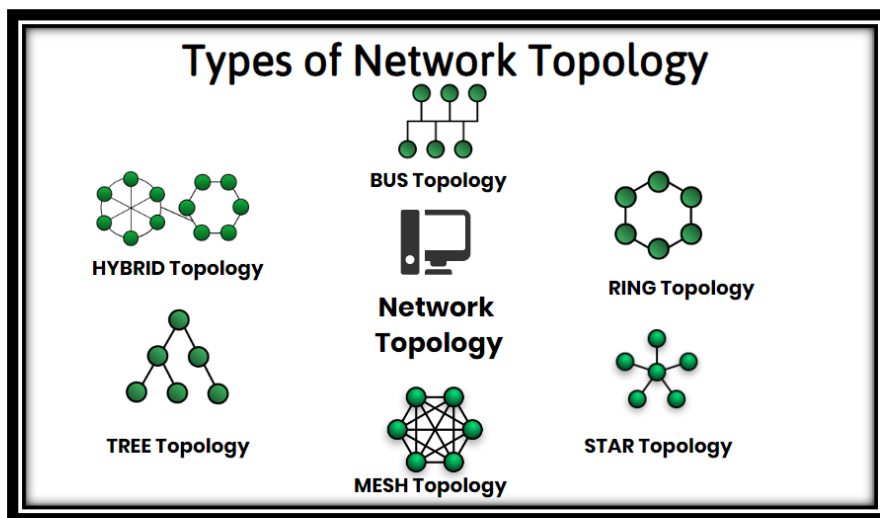
5. Data Collection Activity:

Prepare a list of resources found in your state. Also highlight the resources that the state is deficient in. Students will be evaluated on the basis of collection, organisation and observation.

Q1- Write advantages of networking.

Q2- Prepare a presentation on topic: **Types of Networks.**
Use different elements to make it more creative & clear to understand and share it through mail to your teacher.

[\(hemamehra@bhartiyainternationalschool.com\)](mailto:hemamehra@bhartiyainternationalschool.com)



Q3- Prepare a chart and write uses of different **Networking Components**.

OR

Q-“**Think before you click**”- Internet security is a central aspect of cyberworld, in aspect of user’s data security you need to create a poster to make users aware and share solution for this increasing problem in our society. Use any software to design and take color print out in A4 sheet. Sample is given below.



